

HIMPEL

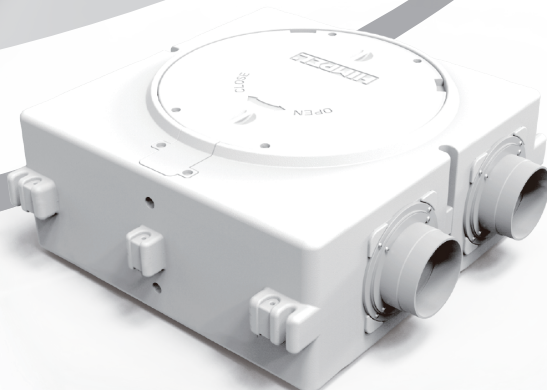
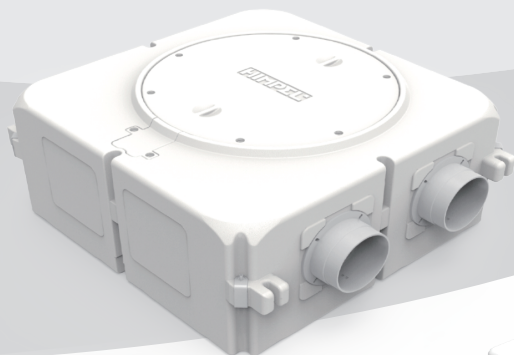
hueven

EPP Total Heat Exchanger

Hueven E, EB User Guide

Ver 1.0

HRD-EP150I(DS), HRD-EP200I(DS), HRD-EP250I(DS)
HRD-EP150IB(DS), HRD-EP200IB(DS), HRD-EP250IB(DS)



- Thank you for purchasing product of HIMPEL Co.
- User guide can help you to use the product more conveniently and safely.



Contact A/S +82-31-424-8403

Safety Notice

⚠ Caution

User may suffer a severe injury or death when disregarded instructions.



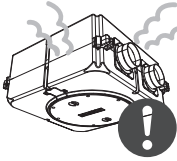
Please contact a professional personnel or Service Center for any electric construction.

* There is a possibility of short circuit or electric shock.



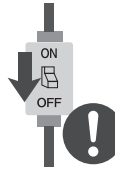
Do not block or put fingers / foreign substance into air intake or exhaust pipe.

* It may cause product damage.



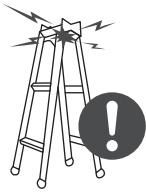
Please turn off the power if you detect odd sound, smell, or smoke.

* There is a possibility of fire or electric shock.



Please turn off the power during change of filter or inspectional cleaning.

* There is a possibility of fire or electric shock.



Please do not use unstable support during change of filter or inspectional cleaning.

* It may cause a fall.



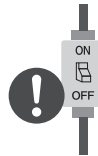
Do not use near electric heater or firearm.

* It may cause product deformation or fire.



Do not disassemble, repair, or remodel the product on your own.

* It may cause fire or electric shock.



Please install ground-fault circuit interrupter and exclusive switch.

* It may cause fire or electric shock.

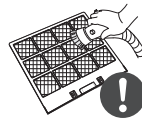
⚠ Warning

User may suffer an injury or property damage when disregarded instructions.



Do not use chemicals such as thinner or benzene to clean.

* It may cause fire, deformation, and discoloration.



Please clean filter and heat exchanger device regularly.

* Block in filter or heat exchanger device may cause decline in performance and noise.

Please make sure water does not get into electrical parts (including motor).

It may cause device failure and electric shock.

※ No water cleaning for heat exchanger device and Medium/HEPA filters!



Product Specifications & Compositions

Product Specification

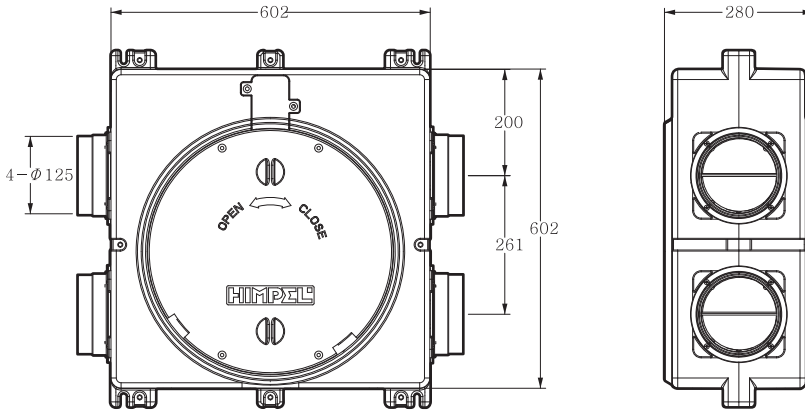
※ Product compositions and performance may be changed without notice for quality improvement.

Model Name	HRD-EP150(DS)	HRD-EP200(DS)	HRD-EP250(DS)
Power Consumption	49W	77W	105W
Product Weight	10kg		
Connecting Duct	φ 125		φ 150

※ Power consumption may change depending on usage environment,

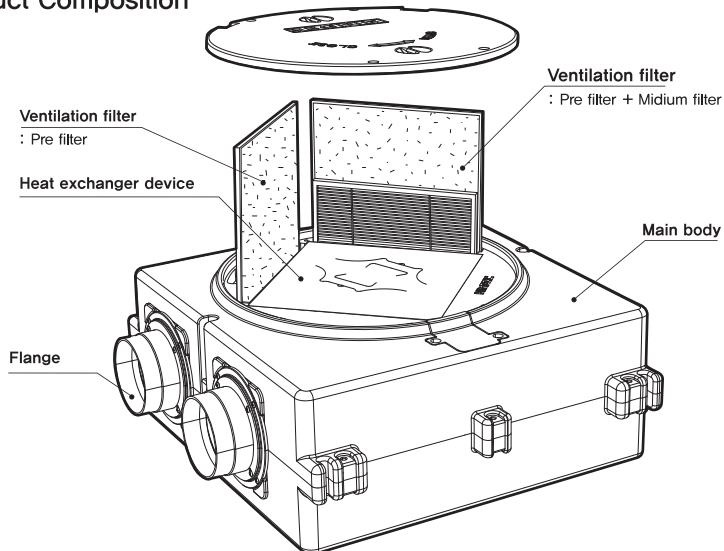
Product Size

HRD-EP150(DS), HRD-EP200(DS)



* HRD-EP250I (DS) model connecting duct size : 4-φ150

Product Composition



Product Specifications & Compositions

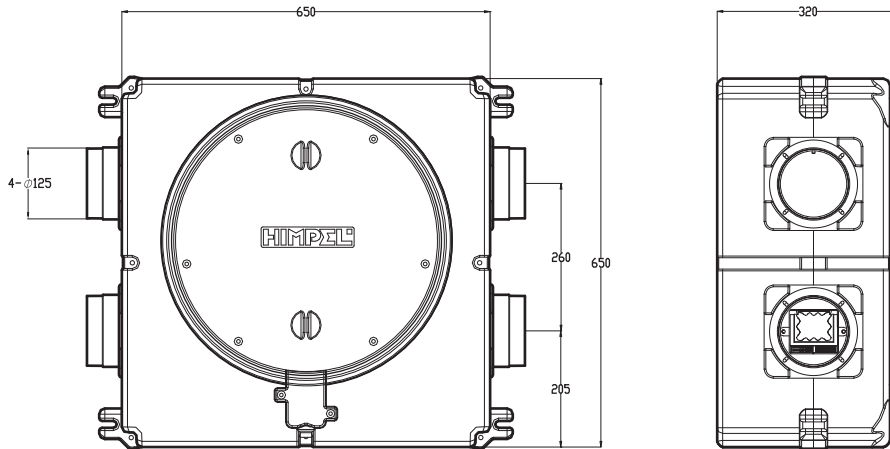
Product Specification

※ Product compositions and performance may be changed without notice for quality improvement.

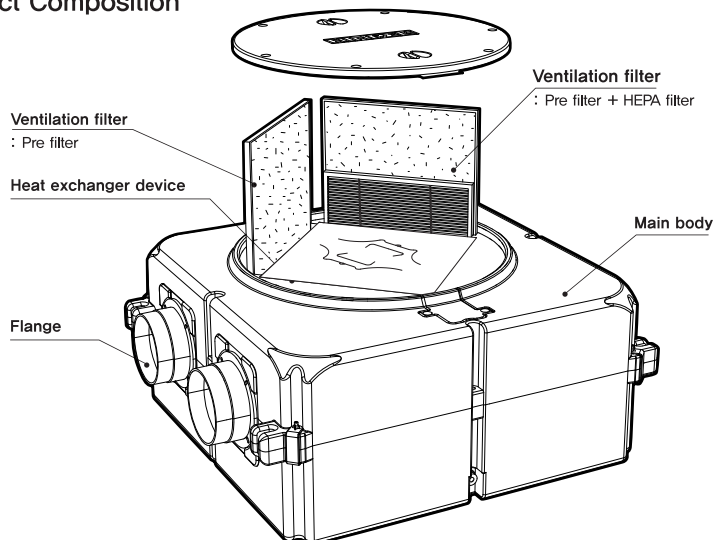
Model Name	HRD-EP150IB(DS)	HRD-EP200IB(DS)	HRD-EP250IB(DS)
Power Consumption	48W	71W	104W
Product Weight	11kg		
Connecting Duct	Ø125		

※ Power consumption may change depending on usage environment.

Product Size



Product Composition



How to Use

Remote Control Buttons

Power

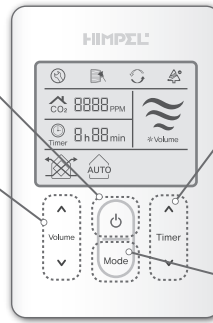
- Touch to turn on
- Press for more than 3 seconds to turn off

Air Volume Control

- Air volume control using UP[▲] & DOWN[▼] buttons

* Detailed Instruction of Air Volume Control

- 1) Set basic air volume as Weak
- 2) Press [▲] & [▼] buttons to control air volume.



Cycle Time Control

- Cycle time control using UP[▲] & DOWN[▼] buttons

* Detailed Instruction of Cycle Time Control

- 1) Set basic cycle time as 1hr
 - 2) Press [▲] & [▼] buttons to control cycle.
- (Can be set up to maximum 3 hours by an hour as a unit)

Mode Setting

- Touch to set ventilation or automatic mode.

Functionalities and Display

(display screen changes to sleep mode if no selection is made within 30 seconds)

CO₂ Display

- Displays CO₂ concentration (unit: PPM)

Cycle Time Display

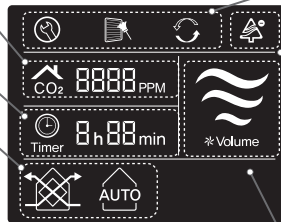
- Displays cycle time set.

Status Display

- Displays active state.

* Display Icons

Mode Status	
	Ventilation
	Automatic Mode



Filter Inspection Display

- Displays inspection regarding filter

- 1) Inspection
 - : Motor stop or sensor break.
- 2) Filter Clean
 - : Based on estimation of 2,000 hours of operation.
- 3) Filter Change
 - : Based on estimation of 4,000 hours of operation.

Plasma Ion (optional)

- Improve indoor air quality through ion.
- Operating at all times if plasma ion device is installed.

3 Step Air Volume Control

Air volume control of 3 steps, Weak/Medium/Strong.

* Detailed Instruction of Ventilation Mode

: It is a basic mode, Air volume control and cycle time control is available.

* Detailed Instruction of Automatic Mode

- 1) CO₂ Sensor: Air volume is automatically controlled by indoor CO₂ concentration.

Indoor CO ₂ Concentration	800 ~ 1,000ppm	1,000 ~ 1,200ppm	1,200ppm 이상
Air Volume	Weak	Medium	Strong

- 2) If CO₂ Sensor is not in place, air volume of 'Weak' is operated for 20 minutes and stopped for 40 minutes. This is repeatedly operated.

How to Use

Remote Control Buttons

Power

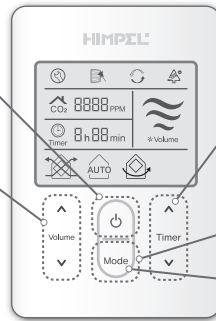
- Touch to turn on
- Press for more than 3 seconds to turn off
- Dry run at initial operation,

Air Volume Control

- Air volume control using UP[▲] & DOWN[▼] buttons

* Detailed Instruction of Air Volume Control

- 1) Set basic air volume as Weak
- 2) Press [▲] & [▼] buttons to control air volume.



Cycle Time Control

- Cycle time control using UP[▲] & DOWN[▼] buttons

* Detailed Instruction of Cycle Time Control

- 1) Set basic cycle time as 1hr
 - 2) Press [▲] & [▼] buttons to control cycle.
- (Can be set up to maximum 3 hours by an hour as a unit)

Mode Setting

- Touch to set ventilation or automatic mode, Exhaust Mode.

Functionalities and Display

(display screen changes to sleep mode if no selection is made within 30 seconds)

CO₂ Display

- Displays CO₂ concentration (unit: PPM)

Cycle Time Display

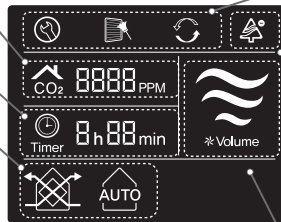
- Displays cycle time set.

Status Display

- Displays active state.

* Display Icons

Mode Status	
	Ventilation
	Automatic Mode
	Exhaust Mode



Filter Inspection Display

- Displays inspection regarding filter

- 1) Inspection
 - Motor stop or sensor break.
- 2) Filter Clean
 - Based on estimation of 2,000 hours of operation.
- 3) Filter Change
 - Based on estimation of 4,000 hours of operation.

Plasma Ion (optional)

- Improve indoor air quality through ion.

3 Step Air Volume Control

Air volume control of 3 steps, Weak/Medium/Strong.

* Detailed Instruction of Ventilation Mode

: It is a basic mode, Air volume control and cycle time control is available.

* Detailed Instruction of Automatic Mode

- 1) CO₂ Sensor: Air volume is automatically controlled by indoor CO₂ concentration.

Indoor CO ₂ Concentration	800 ~ 1,000ppm	1,000 ~ 1,200ppm	1,200ppm 이상
Air Volume	Weak	Medium	Strong

- 2) If CO₂ Sensor is not in place, air volume of 'Weak' is operated for 20 minutes and stopped for 40 minutes. This is repeatedly operated.

* Detailed Instruction of Exhaust Mode

: Air volume control is set as Weak. Cycle time control is available.

Repair & Cleaning

○ Removing Filter and Cleaning

Please clean filter and heat exchanger device regularly to prevent decline of performance of ventilation system.

⚠ Warning

- Please turn off the power before cleaning for your safety.
- Be careful of device falling apart during heat exchanger device inspection.

⚠ Caution

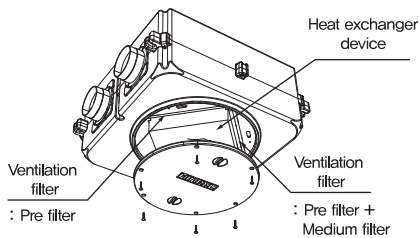
- Please wear gloves during repair for your safety and hygiene.
- Water cleaning is not allowed for heat exchanger device and filters.

Cleaning & Change Period

*Cleaning period for filter and heat exchanger device may differ depending on environment and management method.

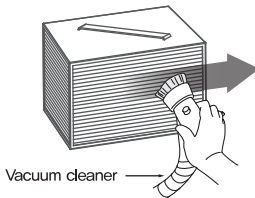
- Filter & heat exchanger device cleaning period: Based on estimation of 2,000 hours of operation,
- Filter change period: Based on estimation of 4,000 hours of operation,
- Heat exchanger device change period: Based on estimation of 2,000 hours of operation,

How to Remove Heat Exchanger Device & Filter



- Undo 6 screws of main body's inspectional device. (Please be careful of device or filter falling.)
- Open inspectional device and remove heat exchanger device downwards by holding its handle.
- Remove filter located at the edge of heat exchanger device by pulling it downwards.
- Please be careful of fall when removing heat exchanger device.

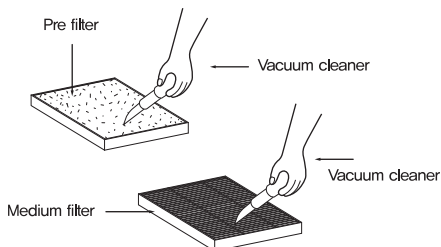
How to Clean Heat Exchanger Device



1. Do not use water to clean heat exchanger device.
2. Please be careful not to damage dent of heat exchanger device. (Product with damaged heat exchanger device dent may experience decline of performance.)

- Clean dust on the surface of heat exchanger device to the direction of dent using vacuum cleaner.
- Change period of heat exchanger device is 2 years. Please clean and change filter and heat exchanger device routinely to prevent product's decline of performance.

How to Clean Ventilation Filter



- Lightly shake the dust off and use vacuum cleaner to clean filters. Clean every 3 months for product maintenance.
- Heat exchanger device and all filters cannot be cleaned with water.
- Please clean and change filter and heat exchanger device routinely to prevent product's decline of performance.



Product Warranty



About Product Services

HIMPEL provides product warranty as grounds mentioned below under Consumer Compensation for Damage Regulation, HIMPEL Co. Service or dedicated cooperative companies will provide customer service when requested. Compensation acceptance notification is provided within 7 days and actual compensation for the damage is provided within 14 days.

Product Name		Model Name	
Purchase Date		Purchasing Price	
Store where Purchased			

Customer Service

You have a right to be entitled for free of charge 1 year guaranteed service if damage occurs when using the product. However, if the damage was caused by customer fault or natural disaster, the service will be provided of charge even during the free of charge guarantee period. A/S fee consists of technical fee, price of the parts, and visitation fee.

- Technical fee refers to an expense occurring for diagnosis, repair or change of broken parts, adjustment, and inspection after completion of repair.
- Price of parts refers to parts or additional material used for repair.
- Visitation fee refers to an expense occurring for A/S technician to visit the site as per the request from the customer.

Free of Charge Services

During guaranteed service period, repair or change of device/product caused by its defect is provided for free of charge, excluding customer fault caused by negligence.

Below grounds show applicable cases for free of charge services.

- Excessive noise caused by unbalanced fan or any other odd conditions
- Remote control display not matching with actual operation of the product
- Fan not operating properly even when even the power on

Services of Charge

- Abnormality occurred caused by removing and reassembling of parts on the customer's own
- Product damaged by missing wiring
- Change of filters or grill cover of heat exchanger device
- Routine inspection and repair

